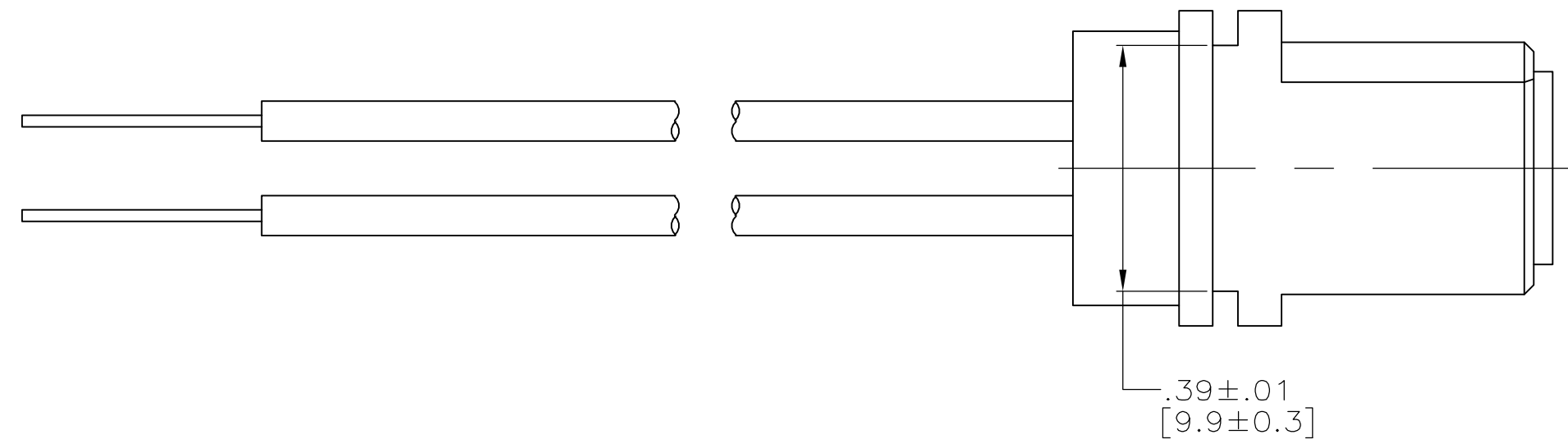
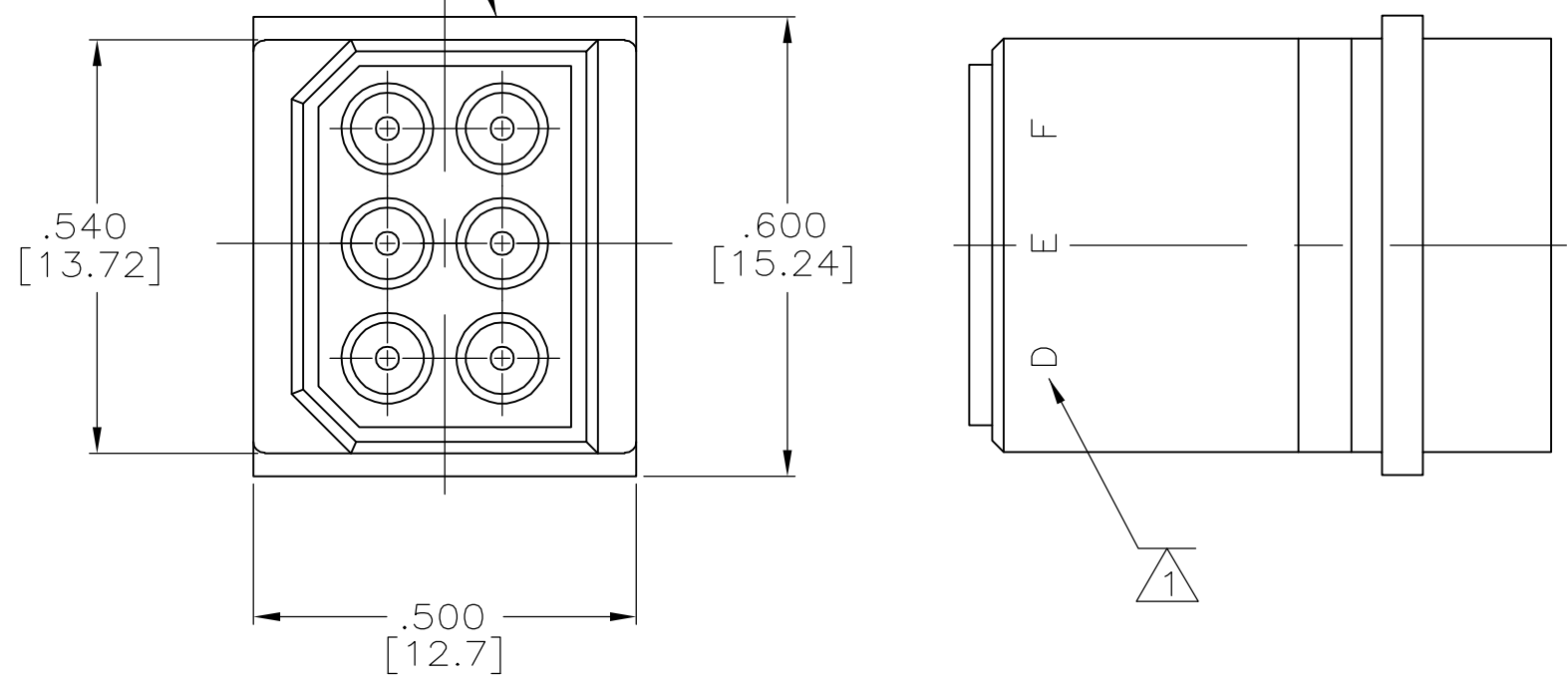
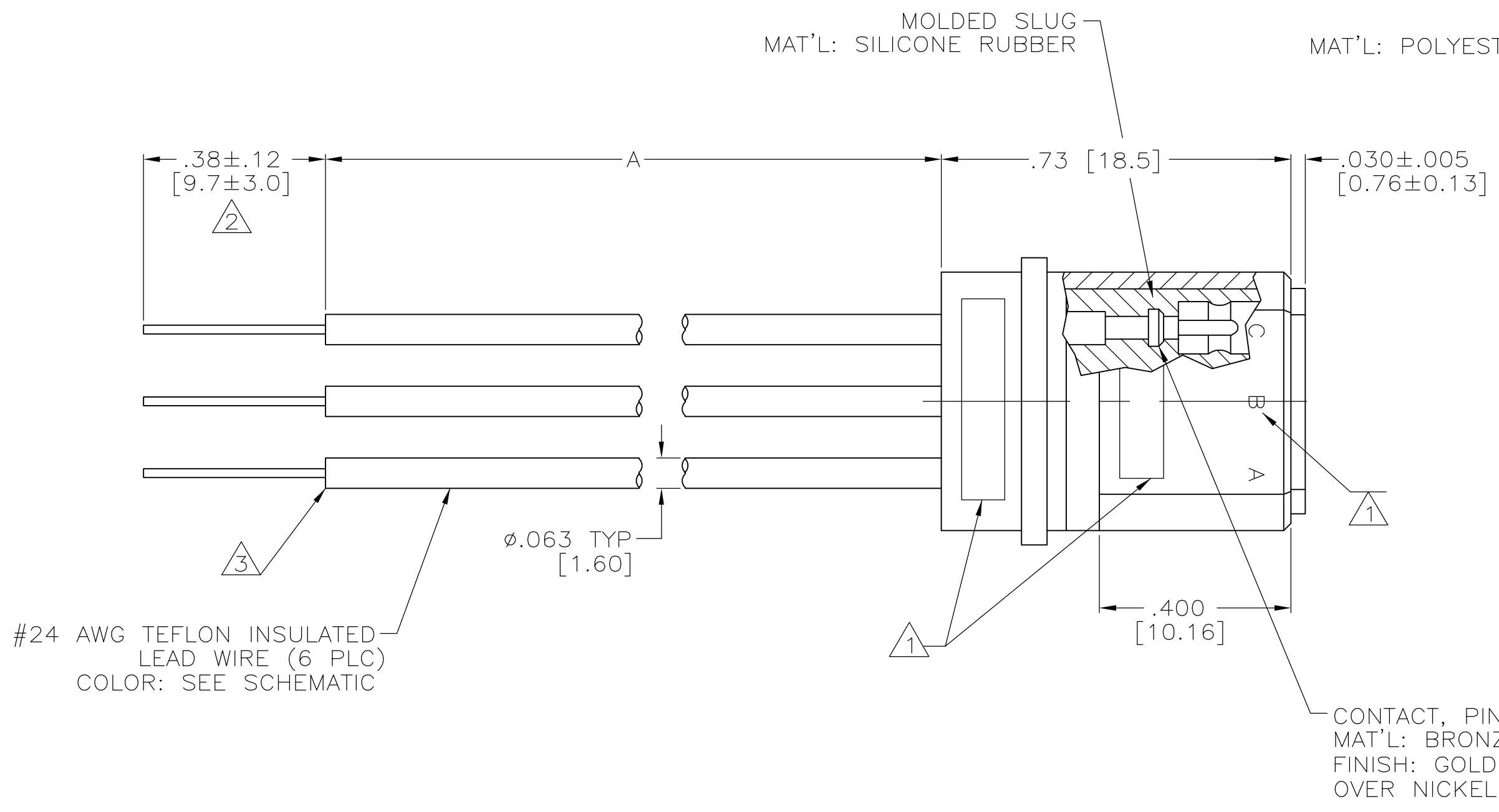


THIS DRAWING IS UNPUBLISHED. RELEASED FOR PUBLICATION - N/A .
 © COPYRIGHT N/A BY TYCO ELECTRONICS CORPORATION. ALL RIGHTS RESERVED.

LOC	DIST	REVISIONS					
DF	SO	P	LTR	DESCRIPTION	DATE	DWN	APVD
		E		REV PER ECO-05-003302	08-05	AA	DE

- 1 MARKED PER MIL-STD-130.
- 2 PIGTAILS ARE SOLDER-DIPPED.
- 3 INSULATION CUT, BUT NOT REMOVED.



A	BROWN
B	RED
C	GREEN
D	BLUE
E	BLACK
F	WHITE

SCHEMATIC

REMARKS	A DIM	PART NO.
3	12.00±.50 [304.0±12.7]	5-867460-1
2	36.00±.50 [914.4±12.7]	867460-3
2	24.00±.50 [609.6±12.7]	867460-2
2	12.00±.50 [304.0±12.7]	867460-1

THIS DRAWING IS A CONTROLLED DOCUMENT.		DWN C.C.THOMAS 28-APR-92	Tyco Electronics Corporation Harrisburg, Pa 17105-3608	
DIMENSIONS: INCHES [mm]		CHK S.GLATFELTER 27-JUL-92	NAME PLUG ASSY 6 POSN WITH FLYING LEADS LGH	
TOLERANCES UNLESS OTHERWISE SPECIFIED: 0 PLC ± - 1 PLC ± - 2 PLC ± - 3 PLC ± .015 [0.38] 4 PLC ± - ANGLES ± - FINISH SEE CALLOUTS		APVD S.GLATFELTER 27-JUL-92	RESTRICTED TO	
MATERIAL SEE CALLOUTS		PRODUCT SPEC APPLICATION SPEC	SIZE A2	CAGE CODE 00779
WEIGHT -		DRAWING NO C=867460		
CUSTOMER DRAWING		SCALE 4:1	SHEET 1 OF 1	REV E